

Centexbel's PatentAlert September 2009
Protective garments

BODY ARMOUR

Publication number: GB2457640 (A)

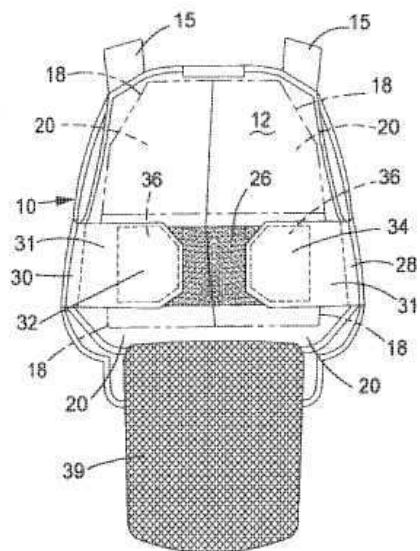
Publication date: 2009-08-26

Inventor(s): KERR ANDREW ROBERT ENGLAND [GB]

Applicant(s): KERR ANDREW ROBERT ENGLAND [GB]

Abstract of GB 2457640 (A)

A protective garment (10,40) is provided for shielding the upper torso of a wearer of the garment against projectiles or other harmful penetrating threats. The garment (10, 40) comprises a front part (12, 42) for protecting the front of the wearer, a back part (14, 44) for protecting the back of the wearer, shoulder straps (15, 62) connecting the front part to the back part, and adjustable side straps (28, 30, 66) for connecting the front and back parts at the sides. The front and back parts (12, 14, 42, 44) incorporate lightweight soft armour materials (22) that arrest or deflect projectiles impacting on the front and back parts, and at least said front part (12, 42) has pocket means (18, 48) for receiving detachable armour plates (20, 58).



INFLATABLE DEVICE FOR PERSONAL PROTECTION AND GARMENT COMPRISING THE SAME

Publication number: EP2091365 (A2)

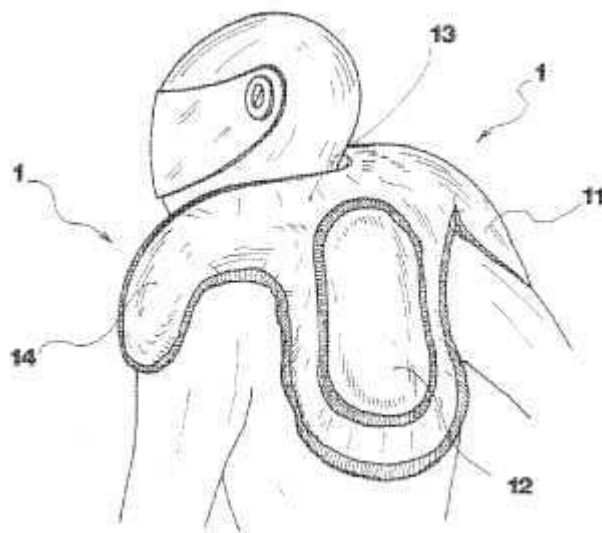
Publication date: 2009-08-26

Inventor(s): PRETTO PAOLO [IT]

Applicant(s): DAINESE SPA [IT]

Abstract of corresponding document: WO 2008044222 (A2)

An inflatable device for personal protection comprises at least one inflatable member (1, 101), containing means (2, 102) of said at least one inflatable member (1, 101), said at least one inflatable member (1, 101) being apt to cooperate with activation and inflation means apt to implement the inflation thereof in case of fall and/or slide and/or impact by a user or a vehicle whereon he/she proceeds, wherein said inflatable device further comprises reversible connection means (3, 103) of said at least one inflatable member (1, 101) apt to allow the connection to a garment (4, 104) and the subsequent removal.



Centexbel's PatentAlert September 2009
Protective garments

PROTECTIVE GARMENT

Publication number: US2009205117 (A1)

Publication date: 2009-08-20

Inventor(s): DAY CRAIG JEREMY [AU]; LANNANE DELIA THERESE

Abstract of US 2009205117 (A1)

A protective garment (10) which includes a front portion (12), a rear portion (14), arms (13, 15) and a hood (22), the front portion being a continuous panel which is free of openings. The rear portion is secured to our integral with the front portion and generally in two parts to enable the user to don the garment. There is provided fastenings (18) for holding the two parts together and the hood being connected to a neck section of the front and rear portions.

A PROTECTIVE GARMENT

Publication number: IE20080113 (A1)

Publication date: 2009-08-19

Inventor(s): HUGHES HENRY SYLVESTER [IE]

Applicant(s): MAYO WORKWEAR RES & DEV LTD [IE]

Abstract of IE 20080113 (A1)

A garment for holding a kneepad to be used by tradesmen who are required to spend long periods of time in the kneeling position. The garment comprises a number of pockets which can hold the insertion kneepad at a number of different heights respectively. This can be useful as people of different heights may use the garment and also a user may require the kneepad to be at different heights depending on the angle of the surface they are kneeling on. The garment is designed to present only one opening as access to all of the different pockets which is useful in construction site environments as any strips of cloth such as an opening presents a risk of being snagged or caught on a nearby protruding object. This is a health hazard to the user of the garment.

GARMENT WITH KNEEPAD POUCH

Publication number: GB2457478 (A)

Publication date: 2009-08-19

Inventor(s): HUGHES HENRY SYLVESTER [IE]

Applicant(s): MAYO WORKWEAR RES & DEV LTD [IE]

Abstract of GB 2457478 (A)

The garment 1102 comprises pouches 1110 each of which can hold a protective pad 200 at a plurality of different heights respectively. This is done by providing a plurality of pockets 1119, 1129, 1139 within each pouch 1110, each pouch only having one opening 700.

Centexbel's PatentAlert September 2009
Protective garments

ARMORED GARMENT FOR PROTECTING

Publication number: US7571493 (B1)

Publication date: 2009-08-11

Inventor(s): PURVIS JAMES W [US]; JONES II JACK F [US]; WHINERY LARRY D [US]; BRAZFIELD RICHARD [US]; LAWRIE CATHERINE [US]; LAWRIE DAVID [US]; PREECE DALE S [US]

Applicant(s): SANDIA CORP [US]

Abstract of US 7571493 (B1)

A lightweight, armored protective garment for protecting an arm or leg from blast superheated gases, blast overpressure shock, shrapnel, and spall from a explosive device, such as a Rocket Propelled Grenade (RPG) or a roadside Improvised Explosive Device (IED). The garment has a ballistic sleeve made of a ballistic fabric, such as an aramid fiber (e.g., KEVLAR(R)) cloth, that prevents thermal burns from the blast superheated gases, while providing some protection from fragments. Additionally, the garment has two or more rigid armor inserts that cover the upper and lower arm and protect against high-velocity projectiles, shrapnel and spall. The rigid inserts can be made of multiple plies of a carbon/epoxy composite laminate. The combination of 6 layers of KEVLAR(R) fabric and 28 plies of carbon/epoxy laminate inserts (with the inserts being sandwiched in-between the KEVLAR(R) layers), can meet the level II

IA fragmentation minimum V50 requirements for the US Interceptor Outer Tactical Vest.

GARMENT PREPARED FROM FLUOROPOLYMER STAPLE YARN

Publication number: WO2009091789 (A2)

Publication date: 2009-07-23

Inventor(s): NELSON ARTHUR RUSSELL [US]; DONCKERS MIKE [US]

Applicant(s): TORAY FLUOROFIBERS AMERICA INC [US]

Abstract of WO 2009091789 (A2)

A single layer, lightweight protective garment prepared from a fabric made of woven polytetrafluoroethylene staple fiber yarn, the fabric having an outer surface composed fluoropolymer staple fibers.

UNDERARM GARMENT PROTECTOR

Publication number: US2009183292 (A1)

Publication date: 2009-07-23

Inventor(s): PRICE JASON ANDREW [US]

Abstract of US 2009183292 (A1)

An armpit sweat absorption system comprised of a disposable absorption pad that is placed inside a pocket located under the armpit of a conventional yet modified men and women's undershirt. The pocket, located at the arm pit location serves as an "under-pocket" to contain the disposable absorption pad. The under-pocket is a simple layer of undershirt material that reinforces the under arm and has room to hold the pad. The pad material is a composite of gauze-like cotton material suitable for absorbing moisture. The combined effort of under pocket and absorption pad is meant to absorb unsightly underarm perspiration and provide garment protection from clothes fading and discoloration due to sweating and deodorant stains that tend to drain through.

Centexbel's PatentAlert September 2009
Protective garments

HEAT EXCHANGE GARMENT

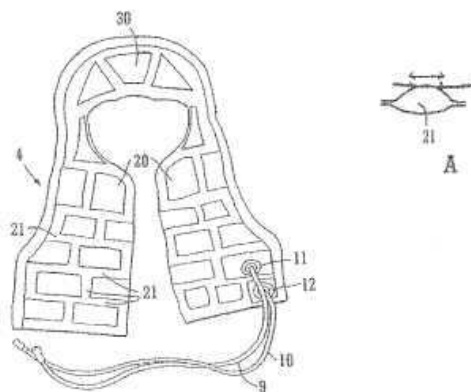
Publication number: US2009165183 (A1)

Publication date: 2009-07-02

Inventor(s): KERR ANDREW ROBERT ENGLAND [GB]

Abstract of US 2009165183 (A1)

A heat exchange system for use in a garment, for example a protective garment, or temperature conditioning garment, comprising one or more internal channels for carrying heat exchange fluid and control means for controlling the flow of the heat exchange fluid through the internal channels, wherein the internal channels are defined within a pair of sheets of weldable material by virtue of a welding process.



UNDERWIRE END PROTECTOR HAVING A FLEXIBLE ZONE AND UNDERWIRE ASSEMBLY INCORPORATING SAME

Publication number: US2009156096 (A1)

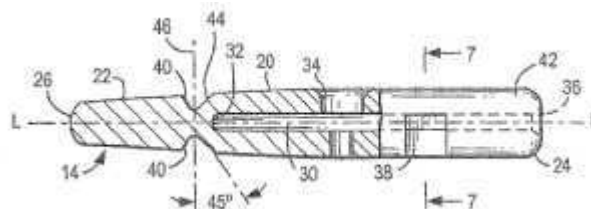
Publication date: 2009-06-18

Inventor(s): HORTA JOSEPH [US]; KOPF KURT [US]

Applicant(s): S & S IND INC [US]

Abstract of US 2009156096 (A1)

A protective device for an end portion of an underwire for a garment including a cushion tip having a proximal portion and a distal portion. The proximal portion has "an internal cavity extending over a portion of the length of the proximal portion and is dimensioned to receive the end of an underwire of similar cross-section. The distal end of the cushion tip extends from the proximal portion a distance beyond the cavity length and includes at least one portion of relatively reduced bending strength formed by reducing the cross-sectional area by way of a groove or grooves, or the like. The at least one groove provides a flexible region between the proximal and distal portions. The portion of relatively reduced bending strength can be provided by other known means such as molding the protective device with different materials of relatively different strengths.



Centexbel's PatentAlert September 2009
Protective garments

PROTECTIVE GARMENT

Publication number: HK1085887 (A1)

Publication date: 2009-06-12

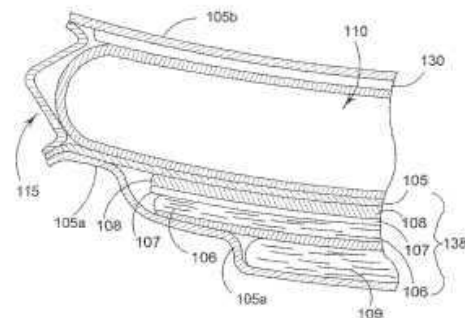
Inventor(s): KERR ANDREW ROBERT ENGLAND

Applicant(s): ANDREW ROBERT ENGLAND KERR [GB]

Abstract not available for HK 1085887 (A1)

Abstract of corresponding document: WO 2004056223 (A1)

A protective body garment comprising an outer layer of penetration resistant armour, a gas inflatable bladder and inflation means for inflating the bladder to provide buoyancy to the wearer of the garment when immersed in water. The garment has an inner support means (130) to support the inner surface of the bladder (110) and the inflatable bladder is placed between the inner support means (130) and the outer layer of armour (138). The garment may also possess wall portions (115) which when the device is deflated are held together by releasable interengaging means and when the device is inflated are separated to increase the size of the garment to accommodate the volume of the inflated device.



GARMENT WITH GROIN PORTION TO PROTECT AGAINST TRANSMISSION OF HEAT

Publication number: GB2455576 (A)

Publication date: 2009-06-17

Inventor(s): GUEST WENDY [GB]

Applicant(s): GUEST WENDY [GB]

Abstract of GB 2455576 (A)

A garment which in use extends over at least the frontal portion of the lower abdomen and upper thighs includes a thermally protective material 6 to shield the groin. The garment may be an apron 1 with adjustable fasteners 4, 5, or a jacket (11, fig 3); it is preferably breathable. The shield 6 can be removably or permanently mounted to the garment, or integrally formed with the garment. The shield is preferably at most 500mm in width and height. The shield is preferably woven, ideally from inorganic or polymeric fibres such as glass, silica, ceramic or aramid. The shield may include a heat resistant coating, preferably polymeric or metallic, optionally aluminium

Centexbel's PatentAlert September 2009
Protective garments

COMFORTABLE PROTECTIVE GARMENTS

Publication number: WO2009048504 (A2)

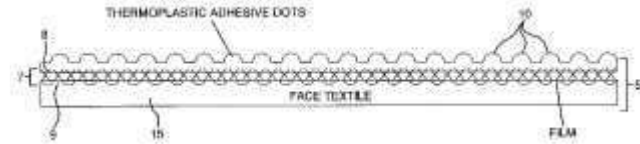
Publication date: 2009-04-16

Inventor(s): SMITH TIMOTHY J [US]

Applicant(s): GORE ENTERPRISE HOLDINGS INC [US]; SMITH TIMOTHY J [US]

Abstract of WO 2009048504 (A2)

Garment constructs and garments prepared therefrom having a functional layer and an inner layer of a plurality of textiles, at least two of which are dissimilar textiles, adhered to the functional layer are provided



PERSONAL PROTECTION DEVICE WITH INFLATABLE BAG AND GARMENT INCLUDING SUCH A DEVICE

Publication number: WO2009047733 (A2)

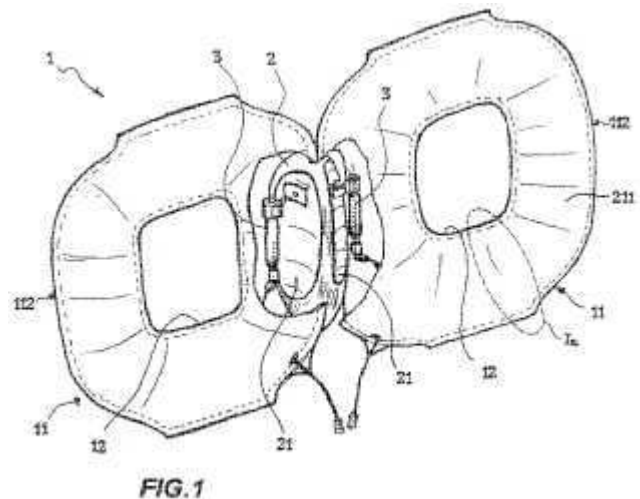
Publication date: 2009-04-16

Inventor(s): PRETTO PAOLO [IT]

Applicant(s): DAINESE SPA [IT]; PRETTO PAOLO [IT]

Abstract of WO 2009047733 (A2)

A protection device (1) for the personal protection of a user, apt to be contained in a garment (4) wearable on by said user, the inflatable device (1) comprising at least one inflatable bag (11), a support structure (2) arranged at the user's spinal portion and connected with that inflatable bag (11), and means (3) for inflating said at least one inflatable bag (11), characterized in that said at least one inflatable bag (11) has an operative configuration apt to provide an active protection both at the user's cervical region and at the chest region, as well as at the user's sides (Figure X).



Centexbel's PatentAlert September 2009
Protective garments

"BULLET- AND STAB -PROOF GARMENT, AND PROTECTIVE STRUCTURE MADE OF A MULTILAYER TEXTILE

Publication number: WO2009047617 (A2)

Publication date: 2009-04-16

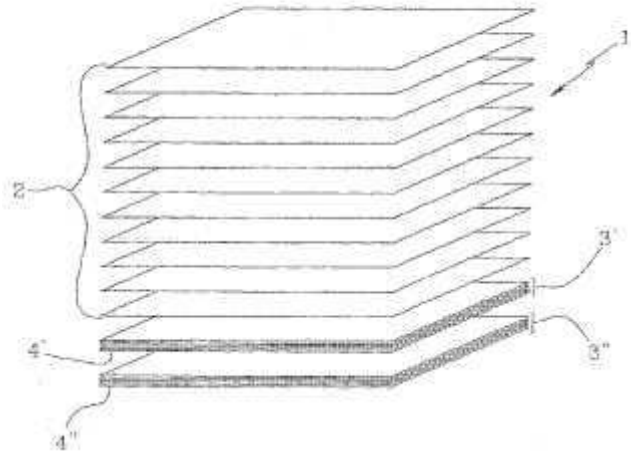
Inventor(s): FENZI ROBERTO [IT]

Applicant(s): LENZI EGISTO S P A [IT]; FENZI ROBERTO [IT]

Abstract of WO 2009047617 (A2)

The present invention relates to a bullet- and stab- proof garment which includes at least a protective structure including a plurality of overlapping layers of fabric formed by fibers of high tenacity, said layers being uncoupled between themselves, and at least a layer of multilayer composite including a plurality of layers of fabric formed by fibers of high tenacity, said layers being coupled between themselves through a flexible polymeric material.

FIG 1



COMPOSITE STRUCTURE FOR PROTECTIVE GARMENT

Publication number: US2009094726 (A1)

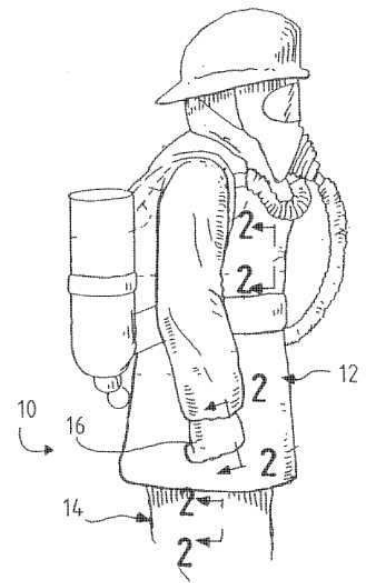
Publication date: 2009-04-16

Inventor(s): GRILLIOT WILLIAM L [US]; GRILLIOT MARY I [US]; GRILLIOT JR WILLIAM L [US]

Applicant(s): MORNING PRIDE MFG LLC

Abstract of US 2009094726 (A1)

A protective garment (10) for a firefighter or other emergency worker includes an outer shell (20), at least one of a moisture barrier layer or a thermal insulative layer (22 or 24) and a liner (26) that includes 85% to 95% by weight hydrophobic fibers and 15% to 10% by weight hydrophilic fibers.



Centexbel's PatentAlert September 2009
Protective garments

CUT, SLASH AND/OR ABRASION RESISTANT PROTECTIVE FABRIC AND LIGHTWEIGHT SHAPED KNIT GARMENT MADE THEREFROM Publication number: WO2009045600 (A1)

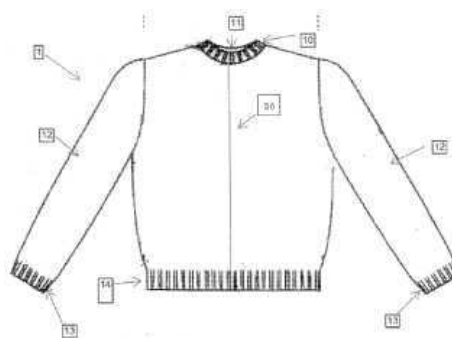
Publication date: 2009-04-09

Inventor(s): SCHULEIN WALTER GORDON [US]; KOLMES NATHANIEL H [US]; DRIVER FRED ELTON [US]

Applicant(s): SUPREME ELASTIC CORP [US]; SCHULEIN WALTER GORDON [US]; KOLMES NATHANIEL H [US]; DRIVER FRED ELTON [US]

Abstract of WO 2009045600 (A1)

A cut, slash and/or abrasion resistant shaped knit garment having both high cut resistance and preferably light fabric weight, a cut resistance of at least 1500 (as measured by ASTM-F1790-2005) and preferably a fabric weight of no more than 27.9 ounces/square yard (OPSY).



PROTECTIVE PAD ASSEMBLY MAGNETICALLY ATTACHABLE TO GARMENT

Publication number: WO2009045256 (A1)

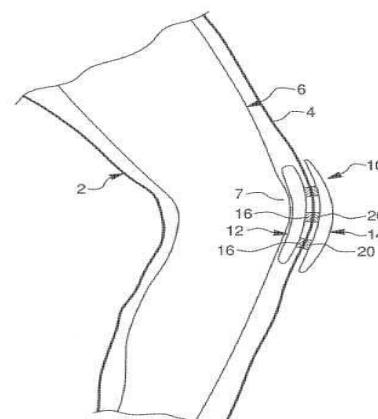
Publication date: 2009-04-09

Inventor(s): PARDILLO JOSEPH M [US]; PICONE JOHN [US]

Applicant(s): PARDILLO JOSEPH M [US]; PICONE JOHN [US]

Abstract of WO 2009045256 (A1)

A protective pad assembly for releasably attaching to a garment, comprises a flexible inner member provided to be disposed inside the garment, an outer member provided to be disposed outside the garment and a securing device provided for releasably attaching the outer member to the inner member. The outer member further includes an outer protective pad. The securing device includes an inner magnetically attractive element attached to the inner member and an outer magnetically attractive element attached to the outer member. The outer magnetically attractive element and the inner magnetically attractive element are magnetically attractable to each other so as to hold the protective pad assembly in place on the garment. Moreover, one of the inner magnetically attractive element and the outer magnetically attractive element is a magnet



Centexbel's PatentAlert September 2009
Protective garments

ABSORBENT ARTICLE AND METHOD OF MAKING SAME

Publication number: WO2009043006 (A1)

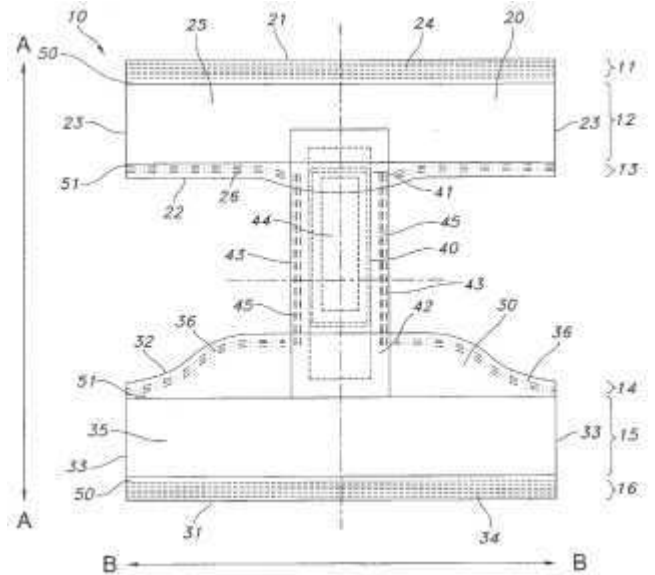
Publication date: 2009-04-02

Inventor(s): GUZMAN REYES LOIDA [US]; MCGINTY BRIAN A [US]

Applicant(s): FIRST QUALITY RETAIL SERVICES [US]; GUZMAN REYES LOIDA [US]; MCGINTY BRIAN A [US]

Abstract of WO 2009043006 (A1)

Disposable protective undergarments and methods for manufacturing the same, wherein a protective undergarment includes a front portion having a body-side and a garment side and including stretch material, a back portion longitudinally spaced from the front portion, and a crotch insert having a body-side and a garment-side, the body-side of the crotch insert has an front end fixed to the garment-side of the front portion and a back end fixed to the body-side of the back portion and the crotch insert bridges a gap between the front and back portions. A disposable protective undergarment also includes a stretch material deactivated where the crotch insert is fixed to the front portion



VENTILATED WEATHERPROOF GARMENT

Publication number: US7540037 (B1)

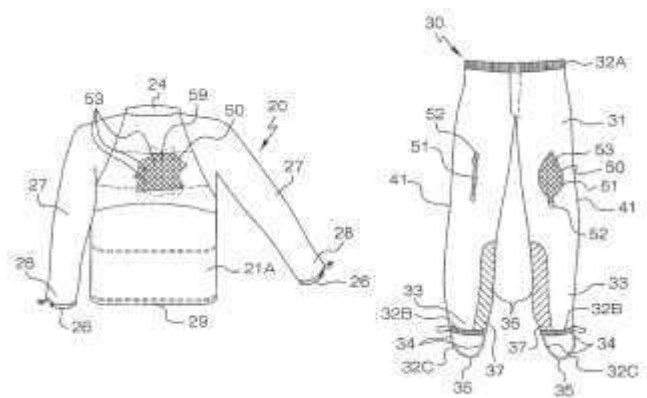
Publication date: 2009-06-02

Inventor(s): BITTLER ROBERT [US]; LANGLEY EDISON [US]

Applicant(s):

Abstract of US 7540037 (B1)

A protective garment includes a water impermeable jacket that has a pair of coextensive interior edges that are coupled to each other. One edge includes a flap extending along a length thereof that covers the edges while same are coupled together. A collar is pressed against a driver's neck and has a hood conjoined thereto. A water impermeable trouser has an elastic waist band. Elastic leg bands are fitted about lower extremities thereof. Elastic straps have opposed ends coupled to the lower extremities and the leg bands and has an apex spaced below the leg band. Draw strings are intercalated between interior and exterior jacket surfaces. A mechanism is included for storing articles within the jacket and the trouser while allowing air to flow through the jacket and the trouser for ventilating the driver. The storing mechanism is adaptable between open and closed positions.



Centexbel's PatentAlert September 2009
Protective garments

A CONFIDENTIALITY PROTECTOR

Publication number: GB2454572 (A)

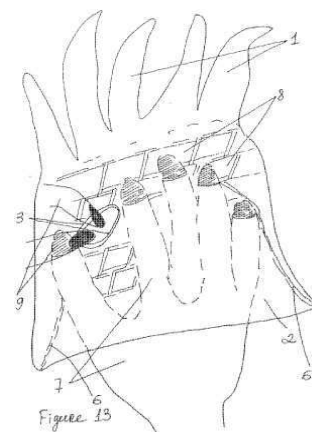
Publication date: 2009-05-13

Inventor(s): KOTLIROV NATALIA [GB]; KOTLIROV EUGENY [GB]; KOTLIROV EUGENY [GB]; KOTLIROV NATALIA [GB]

Applicant(s): KOTLIROV NATALIA [GB]; KOTLIROV EUGENY [GB]

Abstract of GB 2454572 (A)

A device to shield the movement of a hand/digit of the user thereby preventing third parties from stealing confidential information e.g. entering a pin number into a keyboard of an ATM or a user's signature, the device is in the form of a cover that is detachably attached to the hand or wrist of the wearer that allows free movement of the user's hand/digits. The cover may be in the form of a glove whereby the fingers of the user may be removed from the glove sufficiently to allow free movement of the user's digits while the glove acts as the protective shield 2. The shield may be transformed into a purse or pouch for a credit or debit card. Preferably the cover has an aperture 3 to allow the user to view their finger movements for precise manipulation. Alternatively the shield may be incorporated into a sleeve of a garment, the sleeve is pulled down by the wearer to cover the digits of the hand and may have an aperture or cut



PROTECTIVE CLOTHING

Publication number: WO2009055850 (A1)

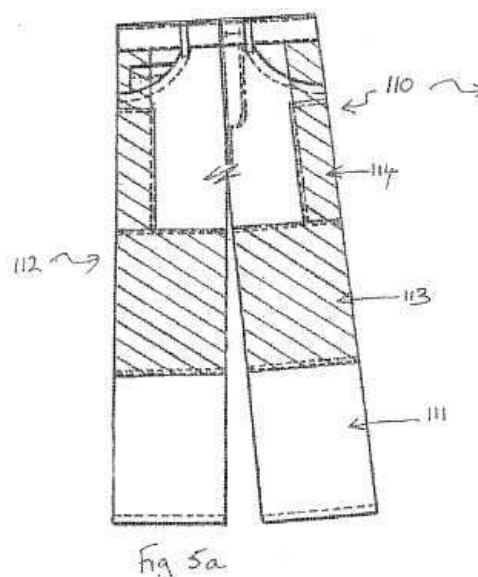
Publication date: 2009-05-07

Inventor(s): MACKINTOSH GRANT CHARLES [AU]

Applicant(s): BECON PTY LTD [AU]; MACKINTOSH GRANT CHARLES [AU]

Abstract of WO 2009055850 (A1)

An article of protective clothing for use by a motorcyclist, or the like, wherein there is attached on the inside surface of the clothing, a knitted or woven material which is comprised of a material that is highly abrasion and/or tear and/or burst resistant and is secured to an inner-side of the clothing at one or more side seams of the garment. By this means, the article of clothing is indistinguishable from regular clothing. The article of clothing includes a pair of trousers with an inner protective abrasion resistant panel, which extends across a knee area and then up the side of the clothing along a thigh area to a hip and then around a bottom area to then return down the side of the other leg to the portion extending around the knee area.



Centexbel's PatentAlert September 2009
Protective garments

VENTILATED DOUBLE-CLOSURE GARMENT

Publication number: US2009077710 (A1)

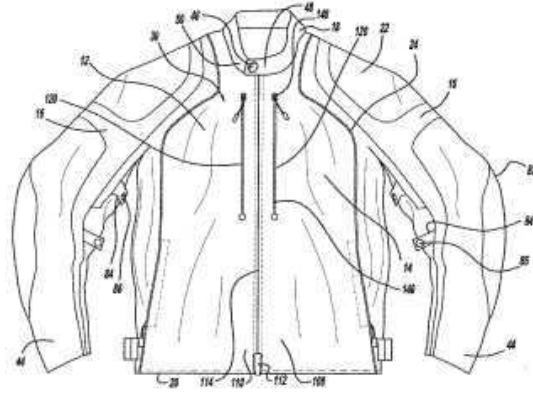
Publication date: 2009-03-26

Inventor(s): BAY MARC A [US]

Applicant(s): ROBISON S INC [US]

Abstract of US 2009077710 (A1)

A ventilated and water-resistant garment is provided. The ventilated garment has at least one vent disposed in a wind-resistant protective material layer and has a closure to selectively permit fluid flow through the vent. A breathable material underlies the vent. The vent has a securing strap with a fastener that secures with a complementary fastener to ensure that the breathable material is substantially exposed to promote fluid flow through the breathable material. A pair of vents is preferably provided in the garment with each have a securing strap with a fastener that removably engages with the complementary fastener on the other securing strap to enhance flow through the vents. Further, double-vent water-resistant openings are provided, having a primary and a secondary closable opening, which can be offset from one another to enhance water and fluid impermeability while providing ventilation.



PROTECTIVE GARMENT

Publication number: US2009070910 (A1)

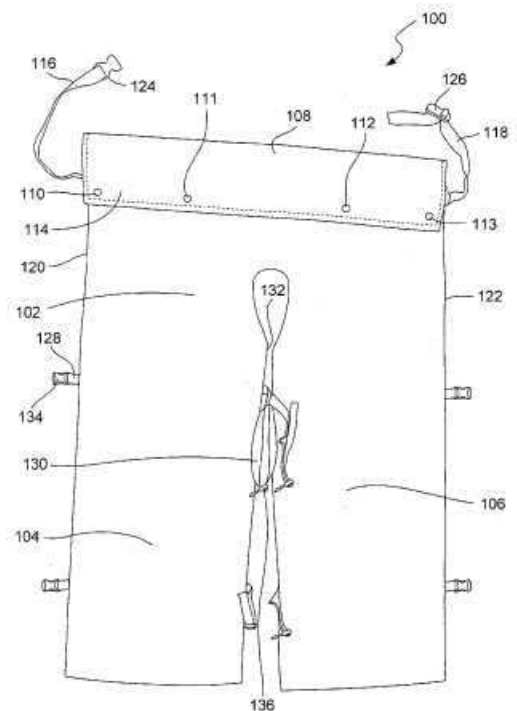
Publication date: 2009-03-19

Inventor(s): MCNALLY JEFF [US]; ELKINS PAUL [US]

Applicant(s):

Abstract of US 2009070910 (A1)

Various embodiments of the present invention are directed to protective garments. In one embodiment, a protective garment comprises an apron, a first leg protector, a second leg protector, a pouch, and a fastener. The apron covers the lower abdominal region of a person and has a top edge, a front surface, a back surface, and a waist attachment means configured to releasably securing the apron to the waist of the person. The first and second leg protectors extend from the apron, each having at least one leg attachment means configured to releasably securing the first and second leg protectors to first and second legs of the person. The pouch has a flap and a back portion attached to the top edge of the apron and can be used to store rolled-up apron and first and second leg protectors by attaching the flap to the back portion using the fastener



Centexbel's PatentAlert September 2009
Protective garments

PERSONAL PROTECTIVE GARMENT

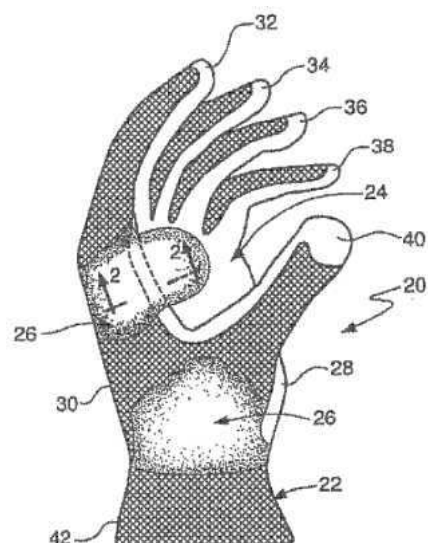
Publication number: US2009070916 (A1)

Publication date: 2009-03-19

Inventor(s): KASSAM MIKHAIL [CA]

Abstract of US 2009070916 (A1)

A personal protective garment, preferably a glove, for protecting at least a portion of the body of a wearer is disclosed. The garment comprises a liner, an overlayer and at least one covering layer. The liner comprises a flexible material and is adapted to be worn on at least a portion of the body of the wearer. The overlayer comprises a milled polymer and is adapted to cover at least a portion of the liner and is secured to the liner. The covering layer comprises a polymer and is adhering to and covering at least a portion of the overlayer. The milled polymer is preferably milled rubber. Also disclosed is a method of making a personal protective garment, preferably a glove



METHOD FOR MAKING A PROTECTIVE GARMENT AND RESULTING PROTECTIVE GARMENT

Publication number: US2009064387 (A1)

Publication date: 2009-03-12

Inventor(s): JAUNAUULT PHILIPPE [FR]; JAUNAUULT SOPHIE [FR]; BENETEAU FRANCK [FR]

Applicant(s): MANULATEx FRANCE [FR]

Abstract of US 2009064387 (A1)

The invention concerns a particular method of making a protective garment or a part of a protective garment, such as a glove, an apron, a vest or the like, said garment or part of garment comprising a web of metal particles assembled together, such as a web of interleaved metal rings or a web of metal platelets assembled by metal linking rings or the like. The method according to the invention is characterized in that it consists in the following steps: firstly, starting with structurally hardened metal or metals not thermally treated, carrying out operations of metal particle cutting, shaping and possibly assembling, secondly, heat treating said obtained particles or said metal web obtained after the assembling operation, so as to increase strength and hardness characteristics of the metal particles constituting said web, and finally carrying out a final operation of making the protective garment or finalizing the garment.

SPRAY COATED FOAM PROTECTIVE ATHLETIC GARMENT

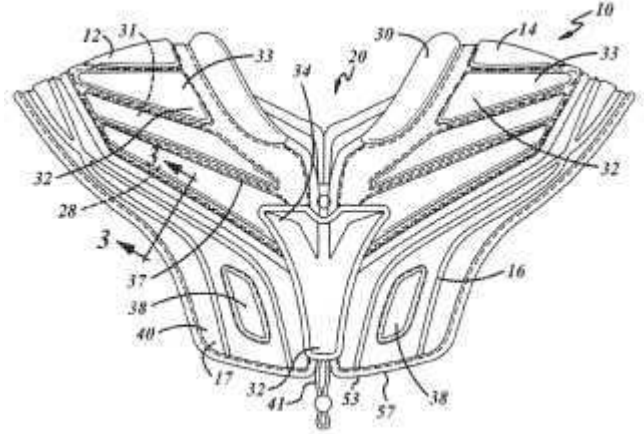
Publication number: US2009044319 (A1)

Publication date: 2009-02-19

Inventor(s): LAMSON KYLE LARRY [US]; REYNOLDS ALEXANDER [US]

Abstract of US 2009044319 (A1)

A protective athletic garment for use in contact sports is formed by first forming a layer of foam. All or a portion of the foam is then compression molded to a desired shape. A layer of a durable coating is then applied to the compression foam to a desired thickness. The compression foam is then optionally coupled to a backing structure. A material overlay may then be coupled around the edges of the coated foam and optional backing structure to form a finished durable edge. Additional protective padding may then be coupled to the material overlay of the durable edge to provide additional protection.



PROTECTIVE GARMENT HAVING A QUICK RELEASE SYSTEM

Publication number: EP2027425 (A2)

Publication date: 2009-02-25

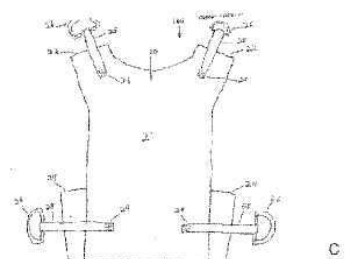
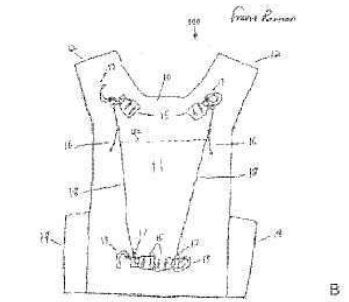
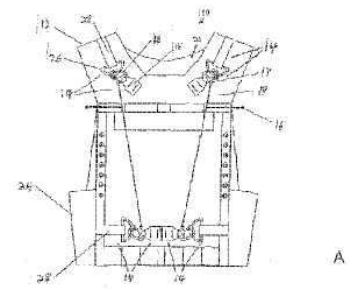
Inventor(s): DOVNER EDWARD R [US]; LESLEY GARY [US]

Applicant(s): DOVNER EDWARD R [US]; LESLEY GARY [US]

Abstract not available for EP 2027425 (A2)

Abstract of corresponding document: WO 2007146812 (A2)

A protective garment, such as a body armor vest, equipped with a quick-release system comprising a front portion, a rear portion, and a plurality of connectors for releasably attaching the front portion to the rear portion. Each connector includes a ring and a releasable hook, wherein the ring can be releasably clasped by the releasable hook. The protective garment further includes a pull cord, which can be attached to and capable of disengaging, at least two of the plurality of connectors to allow detachment of the front portion from the rear portion.



Centexbel's PatentAlert September 2009
Protective garments

PROTECTIVE GARMENT WITH HYBRID SLEEVE SEAM

Publication number: WO2009020685 (A2)

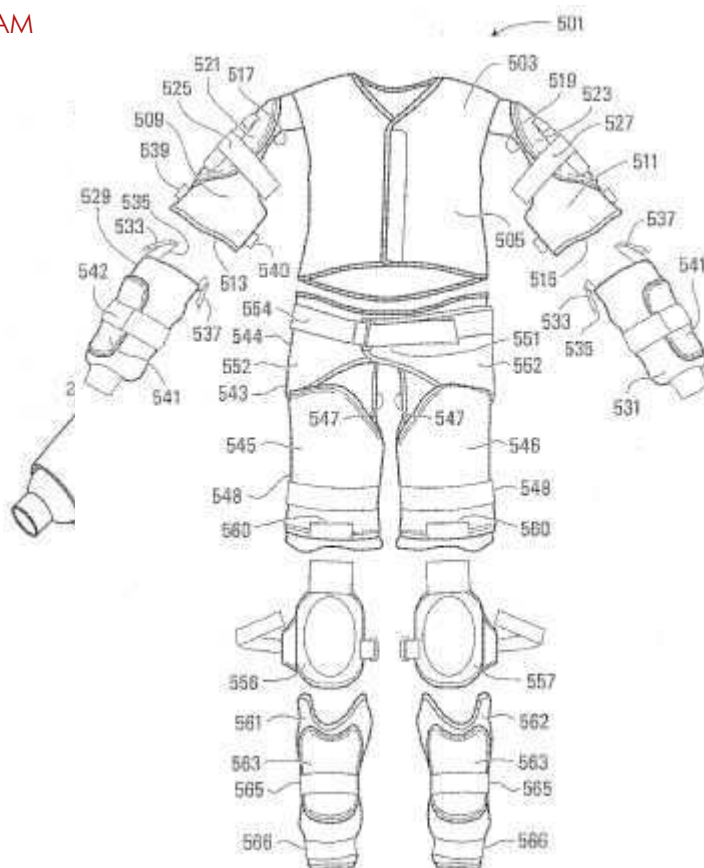
Publication date: 2009-02-12

Inventor(s): CURTIS NICHOLAS J [US]; BEST MARGARET DIANE [US]

Applicant(s): LION APPAREL INC [US]; CURTIS NICHOLAS J [US]; BEST MARGARET DIANE [US]

Abstract of WO 2009020685 (A2)

A protective garment including a body portion having a front and a back, and a sleeve. The sleeve is coupled to the front of the body portion by a raglan seam and coupled to the back of the body portion by an inset seam



PROTECTIVE GARMENT

Publication number: US2009025126 (A1)

Publication date: 2009-01-29

Inventor(s): CROSSMAN DANIEL [CA]; SCAFITA LUCIANA [CA]; HEDGE CLINT [CA]; FISHER GEOFFREY [CA]; SLOBOZIANU MAGDA [CA]; MYLES JUSTIN [CA]

Abstract of US 2009025126 (A1)

A protective garment for protecting military and emergency service personnel comprises an upper body garment having a torso portion formed of flexible material and left and right arm sleeves extending from the torso portion, each sleeve including one or more pockets for retaining a protective armour element to the sleeve. Right and left aide leggings are provided each having retainers for retaining armour elements to the leggings. Each armour element comprises a flexible or rigid ballistic resistant material or structure for protecting the limbs of a wearer against bullets and fragmentation from explosives. The protective garment includes a lower sleeve and lower leggings, each of which are detachable from the basic garment.

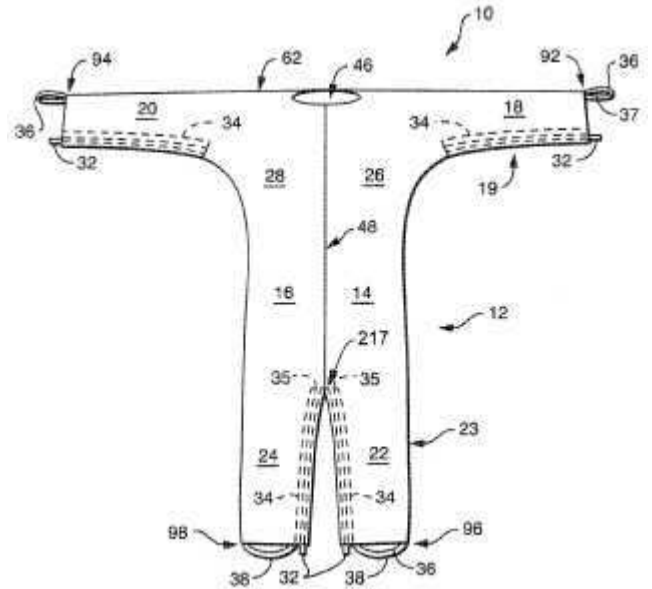
**Centexbel's PatentAlert September 2009
Protective garments**

EASY DONNING GARMENT

Publication date: 2009-01-29

Inventor(s): SMITH AARON DRAKE [US]; MAYFIELD FRANCES W [US]; MCCOY THERESA M [US]; REYES RUTHLYN M [US]; GAGNIER NORMAND [US]; LEE DENNIS YI-DER [US]; SEWARD CHRISTINA MAE CHINGREN [US]; GORDON ALICE SUSAN [US]

Applicant(s): KIMBERLY CLARK CO [US]; SMITH AARON DRAKE [US]; MAYFIELD FRANCES W [US]; MCCOY THERESA M [US]; REYES RUTHLYN M [US]; GAGNIER NORMAND [US]; LEE DENNIS YI-DER [US]; SEWARD CHRISTINA MAE CHINGREN [US]; GORDON ALICE SUSAN [US]



Abstract of WO 2009013645 (A1)

A protective garment configured to facilitate easy donning of the garment is described. The garment includes a donning configuration in which the sleeves and legs are foreshortened. This allows the garment to be handled and donned by the wearer, without the wearer touching an exterior surface of the garment. A method of preparing a protective garment for donning and a method of donning such a garment is also disclosed.

KNEE PROTECTION SYSTEM

Publication number: US2009013442 (A1)

Publication date: 2009-01-15

Inventor(s): MATUSZAK DANIEL R [US]; MEDOVICH CHRISTAN [US]

Applicant(s): WOODLAND WEAR LLC

Abstract of US 2009013442 (A1)

The invention is related to a knee protection system having a knee pad permanently attached to a garment such as pants. The pad is made of silicone rubber. The pad may be shaped and have a number of pad areas including a patella covering part of the pad, a pair of side parts and a top part of the pad. The side parts of the pad protect the user when they roll on their knees and the top part of the pad protects the user knee when they lean forward. The silicone rubber pad is waterproof, inert, and fire resistant. The pad is permanently attached to a knee region of a pair of pants. By manufacturing the pad in a pair of pants a user can comfortably walk around with the knee protection system.

